

TRI-TEC MANUFACTURING

HE Series Electric Valve Actuator

Designed to meet or exceed Mil-Spec DOD-V-24657(SH) with advanced electronic features for the severe requirements of Navy applications

Introduction

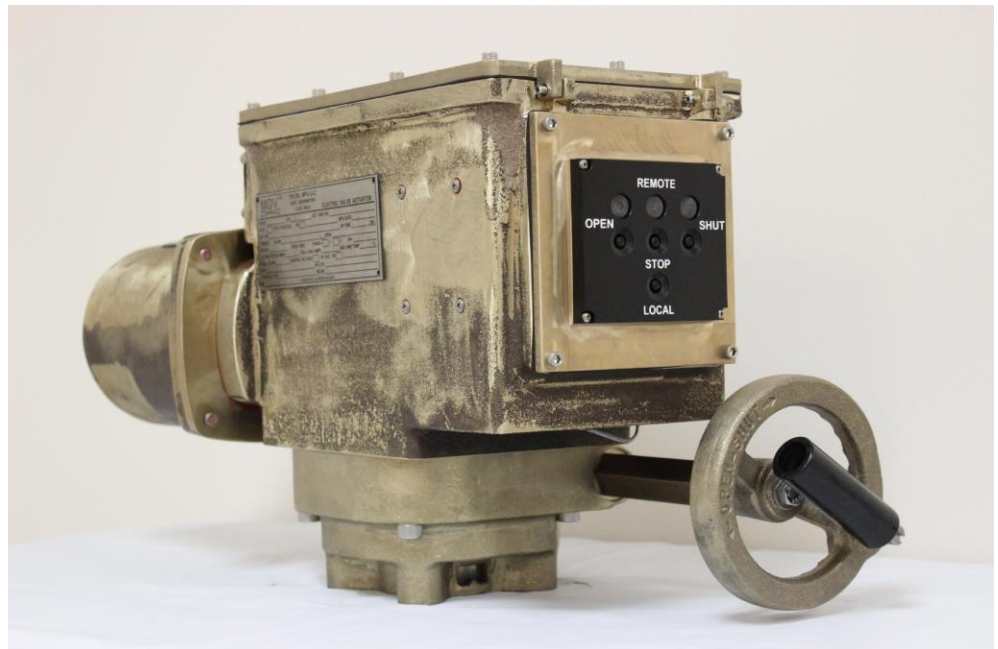
The Tri-Tec Manufacturing HE Series actuators are our newest high performance electronic actuators designed to meet the severe environments of the Navy. The main housing provides high strength and economical design with a multitude of motor sizes tailored to the valve application. The HE has an embedded processor, I/O Interface, and network interface that accommodates distributed autonomous valve control systems. This actuator can handle large gate valves and torque applications that are beyond the range of our smaller NE2 series.

Features

- Quarter-turn and multi-turn valve applications
- Up to 20,000 in-lbs. torque for quarter-turn applications
- Electronically adjustable torque and position limits
- Adjustable mechanical end stops
- Local, remote station, or digital network control
- Local operation by push-button or hand wheel
- Non-intrusive local service and programming port
- Externally programmable using accessory device
- Folding spinner handle for rapid manual actuation through differential drive
- Thermal sensor over-temperature controller
- 115VAC single phase or 440VAC three phase power supply

Optional Features:

- PROFIBUS DPV0 or Modbus RTU networking protocols
- Configurable, analog and digital inputs and outputs
- Mechanical Position Indication



TRI-TEC
MANUFACTURING

Phone 425-251-8777
www.tritecmfg.com

TRI-TEC MANUFACTURING

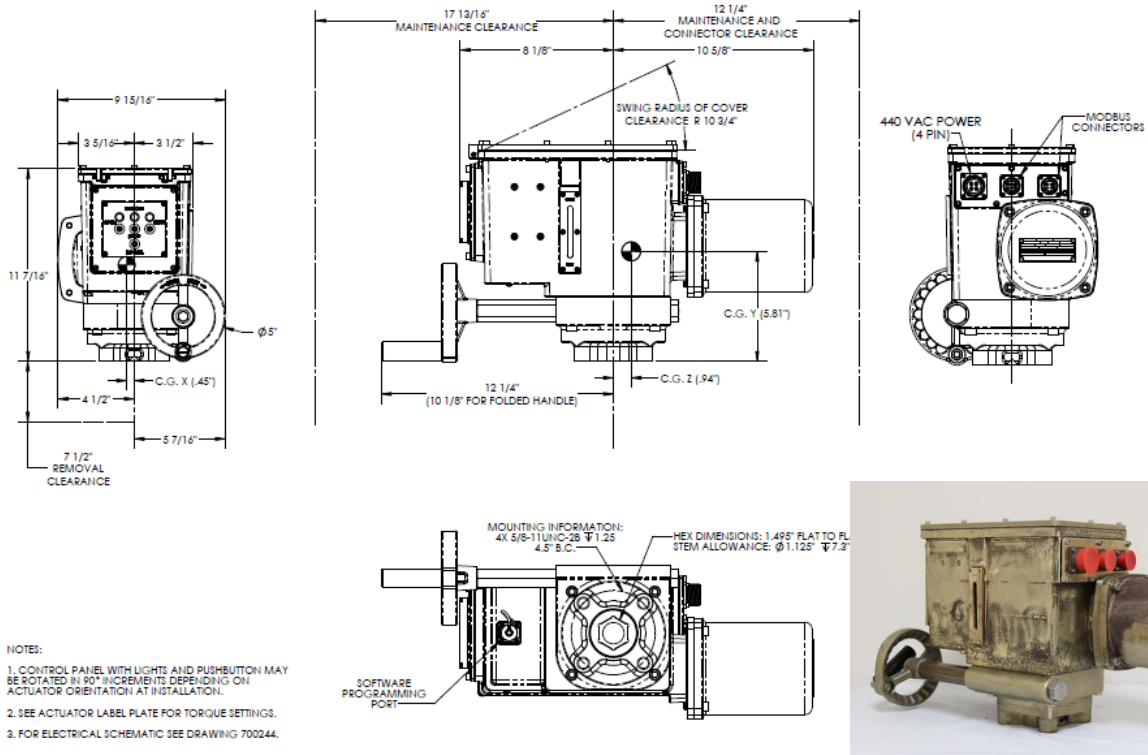
HE Series Electric Valve Actuator

Actuator Specifications

Model Number:	HE # 313001, DOD-V-24657(SH) Type I, Class I, Service I) or HE # 313002, DOD-V-24657(SH) Type I, Class I, Service I)
Housing:	Bronze
Hardware:	Corrosion resistant
Handwheel:	5" with folding spinner
Motor:	Built to MIL-M-17059
Motor Voltage:	115 VAC, single phase 60 Hz or 440 VAC, 3 phase 60 Hz
Gear reduction:	Double reduction, worm and helical gearing
Output torque:	up to 20,000 in-lbs. quarter-turn, 900 in-lbs multi turn
Output speed:	30 seconds or less quarter-turn or 24 RPM or faster multi-turn
Finish:	Uncoated Bronze
Weight:	97 lbs.

Environmental Specifications

Temperature:	-20F to 150F per DOD-V-24657(SH)
Humidity: per	100% humidity at 65°C MIL-STD-202
Submersion:	To 15 meters per MIL-STD-108
Electronics:	EMI per MIL-STD-461
Shock and Vibration:	Per MIL-S-901D and MIL-STD-167-1
First Article:	Per DOD-V-24657(SH)



Tri-Tec Manufacturing (TTM) provides the information herein in good faith but makes no representation as to its comprehensiveness or accuracy. This data sheet is intended only as a guide to products. Individuals using this data sheet must exercise their independent judgment in evaluating product selection and determining product appropriateness for their particular purpose and system requirements. TTM makes no representations or warranties, either express or implied, including without limitation warranties of merchantability or fitness for a particular purpose with respect to the information set forth herein or the product(s) to which the information refers. Accordingly, TTM will not be responsible for damages (of any kind or nature, including incidental, indirect, or consequential damages) resulting from the use or reliance upon this information. Patents in the U.S. and foreign countries. Tri-Tec Manufacturing reserves the right to change product design and specifications without notice.



TRI-TEC
MANUFACTURING
Phone 425-251-8777
www.tritecmfg.com