

TRI-TEC MANUFACTURING

NE2 Series Electric Valve Actuator

Designed to meet or exceed Mil-Spec DOD-V-24657(SH) with advanced electronic features for the severe requirements of Navy applications

Introduction

The Tri-Tec Manufacturing NE Series actuators are low cost high performance electric actuators designed to meet the severe environments of the Navy. The compact main housing provides high strength and economical design. The NE has an embedded processor, I/O Interface, and network interface that accommodates distributed autonomous valve control systems.

Features

- Quarter-turn and multi-turn valve applications
- Up to 12,000 in-lbs. torque for quarter-turn applications
- Electronically adjustable torque and position limits
- Adjustable mechanical end stops
- Local, remote station, or digital network control
- Local operation by push-button or hand wheel
- Non-intrusive local service and programming port
- Externally programmable using accessory device
- Folding spinner handle for rapid manual actuation through differential drive
- Thermal sensor over-temperature controller
- 115VAC single phase or 440VAC three phase power supply

Optional Features:

- PROFIBUS DPV0 or Modbus RTU networking protocols
- Configurable, analog and digital inputs and outputs



TRI-TEC
MANUFACTURING

Phone 425-251-8777
www.tritecmfg.com

TRI-TEC MANUFACTURING

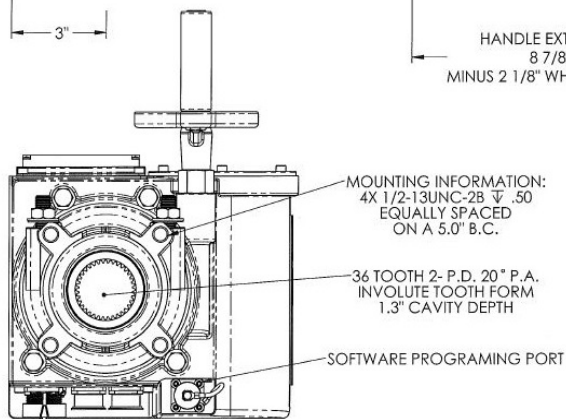
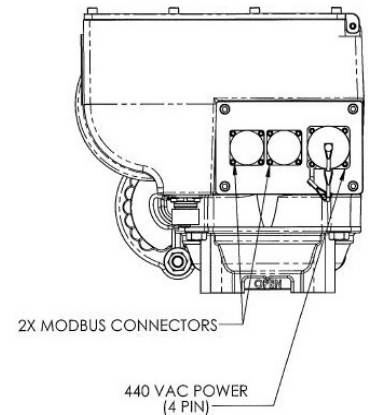
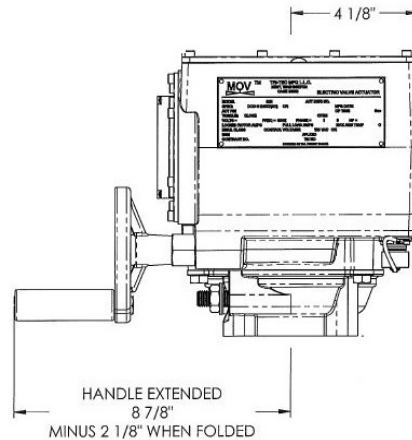
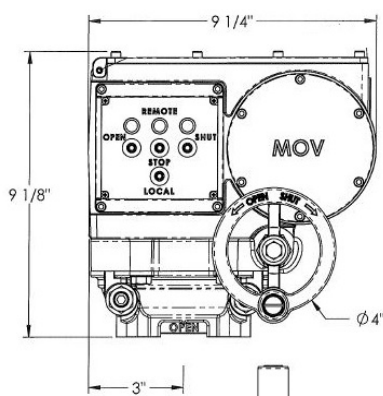
NE2 Series Electric Valve Actuator

Actuator Specifications

Model Number:	NE # 312001, DOD-V-24657(SH) Type II, Class I, Service I) or NE # 312002, DOD-V-24657(SH) Type I, Class I, Service I)
Housing:	Cast ductile iron
Hardware:	Corrosion resistant
Handwheel:	4" with folding spinner
Motor:	Built to MIL-M-17059
Motor Voltage:	115 VAC, single phase 60 Hz or 440 VAC, 3 phase 60 Hz
Gear reduction:	Double reduction, worm and helical gearing
Output torque:	up to 12,000 in-lbs. quarter-turn, 350 in-lbs multi turn
Output speed:	30 seconds or less quarter-turn or 34.6 RPM or faster multi-turn
Finish:	Ductile Iron - Light grey or marine Blue powdercoat per MIL-E-15090C
Weight:	51 lbs.

Environmental Specifications

Temperature:	-20F to 150F per DOD-V-24657(SH)
Humidity:	100% humidity at 65° per MIL-STD-202
Submersion:	To 15 meters per MIL-STD-108
Electronics:	EMI per MIL-STD-461
Shock and Vibration:	Per MIL-S-901D and MIL-STD-167-1
First Article:	Per DOD-V-24657(SH)



TRI-TEC
MANUFACTURING
 Phone 425-251-8777
 www.tritecmfg.com

Tri-Tec Manufacturing (TTM) provides the information herein in good faith but makes no representation as to its comprehensiveness or accuracy. This data sheet is intended only as a guide to products. Individuals using this data sheet must exercise their independent judgment in evaluating product selection and determining product appropriateness for their particular purpose and system requirements. TTM makes no representations or warranties, either express or implied, including without limitation warranties of merchantability or fitness for a particular purpose with respect to the information set forth herein or the product(s) to which the information refers. Accordingly, TTM will not be responsible for damages (of any kind or nature, including incidental, indirect, or consequential damages) resulting from the use or reliance upon this information. Patents in the U.S. and foreign countries. Tri-Tec Manufacturing reserves the right to change product design and specifications without notice.